

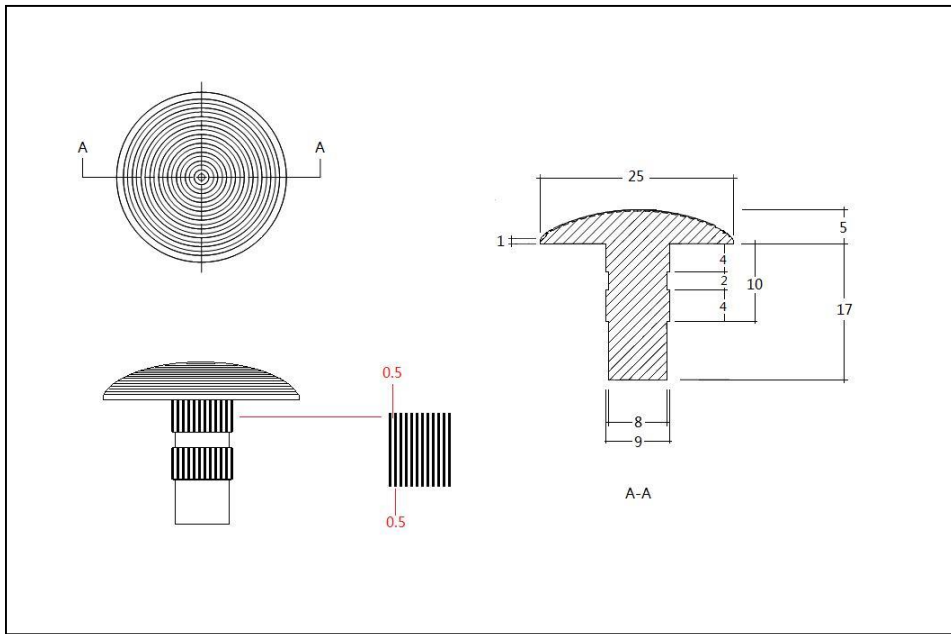
DESCRIPTION

The purpose of Studs is to lead and secure movements of blind or visually-impaired people.

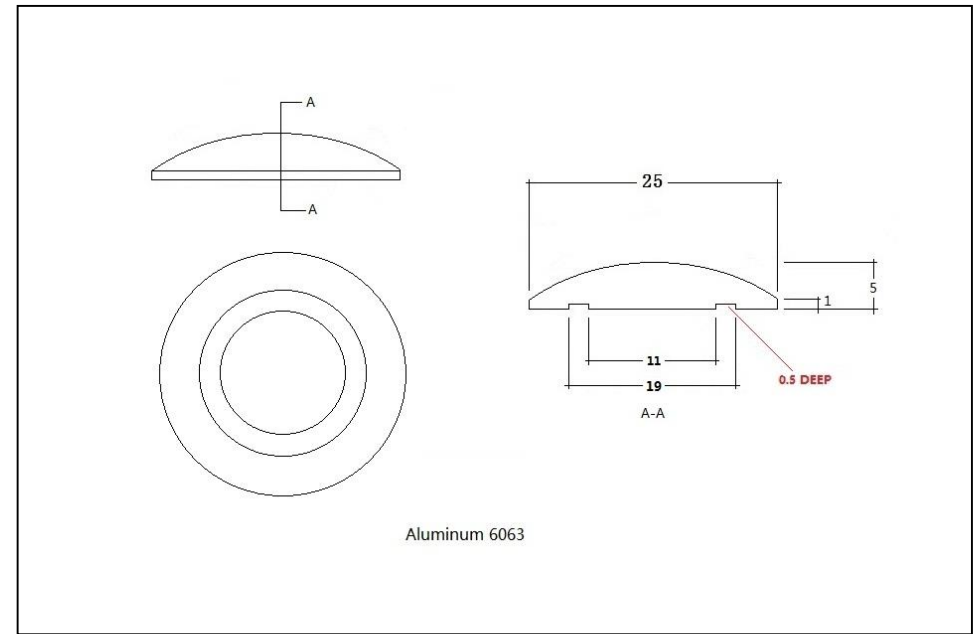
Complies with **NF.P98.351**
(August 2010)

Reference	Material	Surface condition	Colour	Dimensions (mm)	Weight (gramme/part)	Mounting system	Use	Qty per carton
SHS 10 316L	Stainless steel 316L	Striated	Natural stainless steel	25 x 5 16<Pin<18 Pin diameter = 8	22	To seal	Outdoor	1000
SHS 20 316L	Stainless steel 316L	Slick	Natural stainless steel	25 x 5	10	To stick	Indoor ERP Cat. 1 to 5	2000
SHS 20 AL6063	Aluminium T6063	Slick	Natural aluminium	25 x 5	10	To stick	Indoor ERP Cat. 1 to 5	2000

SHS 10 316L



SHS 20 316L / SHS 20 AL6063



Complies with
NF.P98.351 (August 2010)