

GEEMARC

CLEAR SOUND™

HEAR THE DIFFERENCE

AMPLICALL™ 30/40 Portable Monitor



geemarc™
Telecom SA

English

CONTENTS

CONTENTS	1
INTRODUCTION	2
Unpacking the AMPLICALL™30/40	4
DESCRIPTION	5
General Description	5
INSTALLATION	9
Setting Up	9
Mounting	10
Range	11
PAIRING	12
Pairing Procedure	12
Deregister the Pairing	14
USING THE AMPLICALL™30	15
Delay Time Setting	15
Sensor Sensitivity Setting	16
AMPLICALL™ 30 Use	17
USING THE AMPLICALL™40	18
AMPLICALL™ 40 Use	18
TROUBLESHOOTING	19
SAFETY INFORMATION	21
GUARANTEE	24
RECYCLING DIRECTIVES	26

INTRODUCTION

Congratulations on purchasing your Geomarc AMPLICALL™30 or AMPLICALL™40. The AMPLICALL™ 30 is the portable baby unit which listens to your baby and sends a signal to a receiving unit if your baby makes a noise. This enables you to ensure that your baby is comfortable and happy when you are in a different room to the baby. The AMPLICALL™ 40 has an addition piezo buzzer. When inserted, it will disconnect the internal microphone. One of the uses of the AMPLICALL™ 40 is to detect doorbell sounds.

The AMPLICALL™ 30 and AMPLICALL™ 40 have useful features such as delay and sensitivity settings together with the obvious requirements of good, clear reception and easy setup and use.

INTRODUCTION

It's important that you read the instructions below in order to use your Geemarc AMPLICALL™ 30/40 its full potential. Keep this user guide in a safe place for future reference.

INTRODUCTION

Unpacking the AMPLICALL™ 30/40

When unpacking the AMPLICALL™ 30, you should find the following in the box:

- 1 AMPLICALL™ 30/40 Unit
- 3 AAA batteries (supplied)
- 1 External piezo buzzer (AMPLICALL™ 40 only)



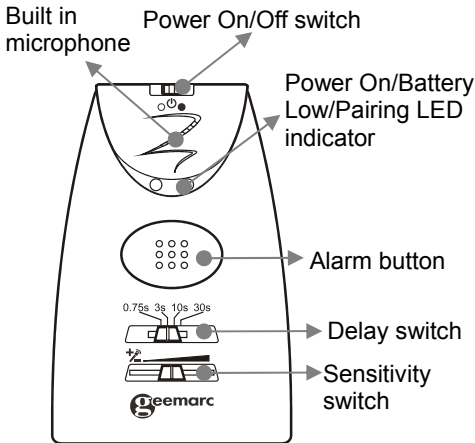
For product support and help visit our website at www.geemarc.com

Telephone: +44 (0)1707 384438
or Fax +44 (0)1707 832529

DESCRIPTION

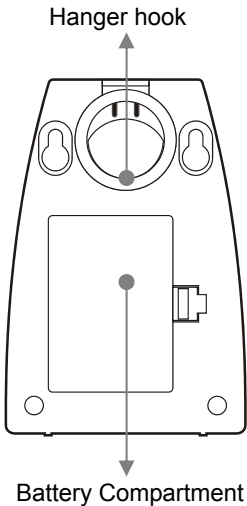
General Description

Front Description



DESCRIPTION

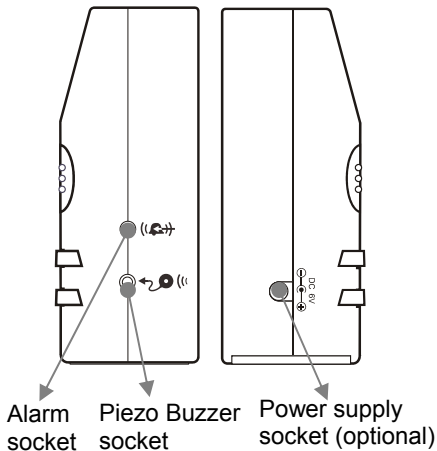
Rear Description



DESCRIPTION

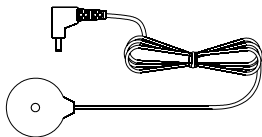
Right Side Description

Left Side Description



DESCRIPTION

**External Piezo Buzzer (AMPLICALL™
40 only)**



INSTALLATION

Setting Up

For portable child monitoring by parent, remove the battery cover found on the rear of the unit, insert 3 alkaline batteries (AAA size, 1.5V type, these are supplied) into the battery compartment. Check the battery polarity diagrams in the battery compartment when inserting the batteries. Replace the battery cover – it will snap back into place.

Slide the Power On/Off switch to On to activate.

Note :

When the LED indicator flashes red, it is time to replace the batteries.

Alternatively, you can use a mains adaptor (not supplied). Simply plug the adaptor into the socket on the left side of the unit and

INSTALLATION

then into a convenient mains outlet. Switch on the mains outlet and slide the Power On/Off switch to On to activate.

Mounting

Place the AMPLICALL™ 30 in the room with the baby in order to pick up any noise made by the baby. The AMPLICALL™ 30 can be hung on the wall using the hanger hook, placed on a table or wall mounted (see below).

Wall Mounting

1. Knock two self-tapping screws (not supplied) into a wall at a distance of 42.5mm from each other and placed in a horizontal line.
2. Place the AMPLICALL™ 30 onto the screw-heads and slide down to secure.

INSTALLATION

Range

Place the unit at least 1 metre away from your baby ensuring all parts are kept out of reach. Under no circumstance should you place any parts of the monitor in or on a cot. For best performance we recommend that the monitor is placed no further away than 4 metres from your baby.

PAIRING

Pairing Procedure

The AMPLICALL™ 30 can work with either the AMPLICALL™ 15, AMPLICALL™ 20 or the AMPLICALL™ 50. However, the devices must be paired before they can operate together.

Pairing with the AMPLICALL™ 15

Press and hold the Pairing/Test button of the AMPLICALL™ 15 and the ALARM button of AMPLICALL™ 30 until the strobe flashes. The unit makes a beep sound to confirm successful pairing.

Pairing with the AMPLICALL™ 20, AMPLICALL™ 50 and CL2L

Press and hold the Pairing/Test button of the AMPLICALL™ 20, AMPLICALL™ 50 or CL2L until the unit makes a beep, release the Pairing/Test button and the 1st LED lights up. You have entered pairing mode.

PAIRING

Press and hold the Pairing/Test button of the AMPLICALL™ 20, AMPLICALL™ 50 or CL2L and the ALARM button of AMPLICALL™ 30 at the same time until the strobe flasher flashes and the unit makes a beep sound to confirm pairing successfully. (For AMPLICALL™ 50, the middle LED lights up and the unit makes a long beep tone to confirm successful pairing)

To check whether the devices are working properly and they have been paired correctly, press the ALARM button on the AMPLICALL™ 30 once. The AMPLICALL™ 20, AMPLICALL™ 50 or CL2L should sound the alarm (provided the alarm is not set to off), vibrate (if set to on) and flash.

PAIRING

Deregister from the AMPLICALL™ 20, AMPLICALL™ 50 or CL2L

1. Press and hold the Pairing/Test button of the indoor unit/receiver (AMPLICALL™ 20, AMPLICALL™ 50 or CL2L) for 5 seconds until all the LED's flash indicating you have entered the deregister mode.
2. Press Pairing/Test button of the indoor unit/receiver once (AMPLICALL™ 20, AMPLICALL™ 50 or CL2L), the 1st LED will flash. Press and hold the Pairing/Test button until the 1st LED turns off and beeps to confirm. The AMPLICALL™ 30 is now deregistered

Delay Time Setting

You can select one of the 4 delay time settings by sliding the delay time setting switch. This is a very useful feature because you can set the time delay between when the monitor registers the sound and when you are actually notified. You might want to put a longer delay on for an older baby because you want to make sure that the baby is actually awake before you are made aware.

1. If you want to be notified immediately of any crying, even a short cry, you can set the delay time to 0.75s position. If the baby starts to cry, the AMPLICALL™30 will transmit a signal immediately to alert you.
2. When the baby's cry is intermittent, you can set the delay time to 5s position. The AMPLICALL™30 will transmit a signal 5s after detecting the cry to alert you.

USING THE AMPLICALL™30

3. When the baby's cry is intermittent and irregular and you are aware of this and relaxed enough to know that the baby is fine, you may want to set the delay time to 10s or 30s. The AMPLICALL™ 30 will transmit a signal at 10s/30s after detecting a cry to alert you.

Sensor Sensitivity Setting

For those quiet moments or when your baby is a little older you may not want to hear every sound in your baby's room. The AMPLICALL™ 30 has a sensitivity setting, a feature that only captures sounds above a certain threshold, for example a cry rather than a gurgle. You can select the desired microphone sensitivity by sliding the microphone sensitivity switch.

1. When a baby's cry is quiet or the unit is installed a long way from the baby, adjust the sensitivity to a higher position to detect a cry.

USING THE AMPLICALL™30

2. When a baby's cry is loud or the unit is installed close to the baby, adjust the sensitivity to a lower position to detect a cry.

AMPLICALL™30 Use

When the AMPLICALL™ 30 detects a cry/voice or the ALARM button is pressed, the paired indoor unit will sound an alarm and/or flash to notify you of the noise made.

USING THE AMPLICALL™40

AMPLICALL™40 Use

The AMPLICALL™ 40 has all the useful features and works in the same way as the AMPLICALL™ 30. However it is supplied with an additional accessory, an external piezo buzzer. If you plug the piezo buzzer into the AMPLICALL™ unit and attach the other end near to the sound source, it will disconnect the internal microphone of the AMPLICALL™ 40 and can be used to detect doorbell sound.

TROUBLESHOOTING

The Monitor will not switch on

- Make sure the batteries are inserted correctly and they have adequate power
- Ensure mains power is connected properly

The Receiver (AMPLICALL™ 50) is making a high pitched (feedback) noise

- Ensure the AMPLICALL™ 30/40 and the AMPLICALL™ 50 are about 10ft apart
- Switch the volume setting to low

The Receiver (AMPLICALL™ 50) is only alerting me intermittently or not alerting me at all

- Ensure the units are paired correctly. Run through the pairing process again
- Ensure the AMPLICALL™ 30/40 and the AMPLICALL™ 50 power is switched on

TROUBLESHOOTING

- Ensure the AMPLICALL™ 50 volume is not switched off
- Make sure the batteries are inserted correctly and they have adequate power
- Ensure mains power is connected properly
- The units maybe too far apart, therefore out of range
- Set time delay to low and sound sensitivity to high

Sound quality has decreased

- Make sure the batteries are inserted correctly and they have adequate power

Red LED flashing

- Replace the old batteries or use mains power

SAFETY INFORMATION

General

Do not open the unit (except to replace the batteries). Contact the helpline for all repairs.

The AMPLICALL™ 30 is designed to help monitor your child and is not a substitute for adult supervision.

This product is not a toy.

Your monitor transmits over public airwaves. Your conversation maybe heard by another product that operates on the same frequency.

Always keep electrically operated items and their cables out of reach of babies and younger children.

Do not place any part of your monitor in or on a cot.

Ensure children cannot become tangled or trip over any wires.

SAFETY INFORMATION

Cleaning

Clean the unit with a soft cloth. Never use polishes or cleaning agents - they could damage the finish or the electrics inside. If connected, please disconnect from power supply before cleaning.

Environmental

Do not expose to direct sunlight.

Always ensure there is a free flow of air over the surfaces of the unit.

Do not place any part of your product in water and do not use it in damp or humid conditions e.g. bathrooms.

Do not expose your product to fire or other hazardous conditions.

Batteries

Removal and replacement of batteries should be carried out by an adult or under adult supervision.

SAFETY INFORMATION

Take special care to ensure batteries are inserted correctly, observing (+) and (-) polarity marks on battery and product.

Remove used batteries from the unit.

Do not use rechargeable batteries.

Do not mix old (used) and new batteries or batteries of different types

Do not put batteries into the household rubbish, pay attention to battery regulations regarding battery disposal.

Remove batteries if you will not be using the product for long periods.

Only use batteries of the same or equivalent type to those recommended.

GUARANTEE

From the moment your Geemarc product is purchased, Geemarc guarantee it for one year. During this time, all repairs or replacements (at our discretion) are free of charge. Should you experience a problem then contact our help line or visit our website at www.geemarc.com. The guarantee does not cover accidents, negligence or breakages to any parts. The product must not be tampered with or taken apart by anyone who is not an authorised Geemarc representative. The Geemarc guarantee in no way limits your legal rights.

IMPORTANT: YOUR RECEIPT IS PART OF YOUR GUARANTEE AND MUST BE RETAINED AND PRODUCED IN THE EVENT OF A WARRANTY CLAIM.

Please note: The guarantee applies to the United Kingdom only

GUARANTEE

DECLARATION: Geemarc Telecom SA hereby declares that this product is in compliance with the essential requirements and other relevant provisions of the Radio and Telecommunications Terminal Equipment Directive 1999/5/EEC and in particular article 3 section 1a, 1b and section 3.

La déclaration de conformité peut être consultée sur le site :

www.geemarc.com



Electrical connection: The apparatus is designed to operate from a 230V 50Hz supply only. (Classified as 'hazardous voltage' according to EN60950 standard). When installing the apparatus, ensure that the mains power socket is readily accessible.

RECYCLING DIRECTIVES

The WEEE (Waste Electrical and Electronic Equipment) has been put in place for the products at the end of their useful life are recycled in the best way.

When this product is finished with, please do not put it in your domestic waste bin.

Please use one of the following disposal options:

- Remove the batteries and deposit them in an appropriate WEEE skip. Deposit the product in an appropriate WEEE skip.
 - Or, hand the old product to the retailer. If you purchase a new one, they should accept it.
- Thus if you respect these instructions you ensure human health and environmental protection.



For product support and help visit our website at www.geemarc.com

Telephone: +44 (0)1707 384438
or Fax +44 (0)1707 832529



UGAmplcall30,40_En_Ver 1.2

geemarc United Kingdom

5 Swallow Court
Swallowfields
Welwyn Garden City
Hertfordshire, AL7 1SB
For product support:
01707 384438

www.geemarc.com

geemarc France

Parc de l'Etoile
2, rue Galilée BP20061
59791 GRANDE SYNTHÉ CEDEX
TEL. SERVICE APRES VENTE:
03 28 58 75 99

www.geemarc.com

geemarc Deutschland

Siemensstrasse 10,
53121 Bonn
Deutschland
Tel: +49(0)228/ 74 87 09 0
Fax: +49(0)228/ 74 87 09 20

www.geemarc.com