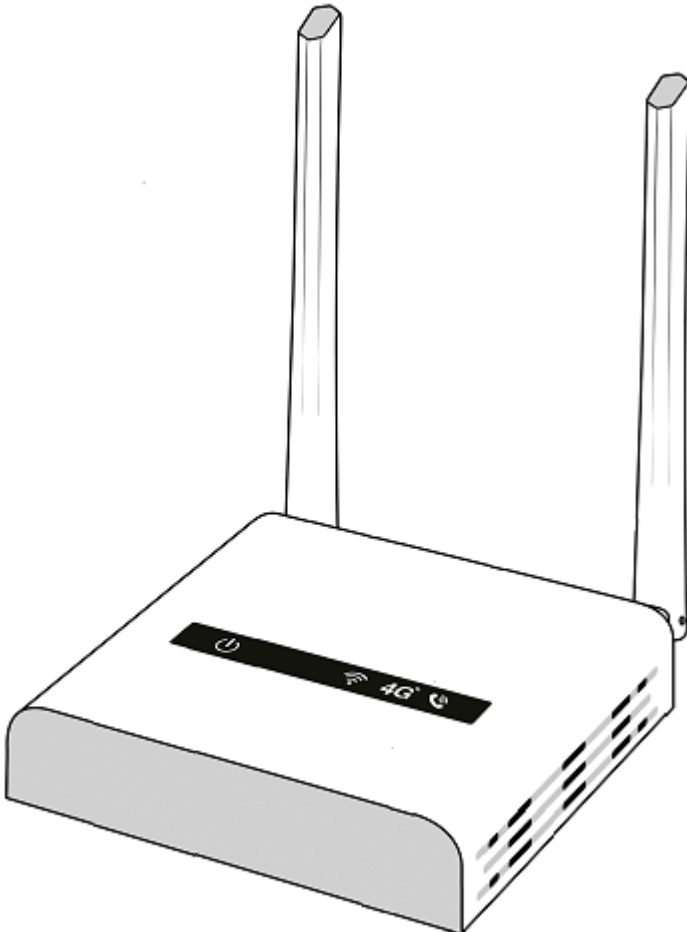


4G WIRELESS ADAPTOR MANUAL

INSTRUCTIONS



DIRECTORY

1. Overview	4
2. Installation of your telephone adaptor	6
3. Telephone adaptor Introduction	7
3.1. LED “ON” Status Identification	7
3.2. Port & Button Identification	8
4. Using your phone with the telephone adaptor	9
4.1 Locate your telephone adaptor	9
5. Pairing your device by Wi-Fi	10
6. Quick settings	12
6.1. Basic Functions	12
6.2. Settings	13
6.2.1 User settings	13
6.2.2 Internet connection	14
6.2.3 Wireless settings	16
6.2.4 Device placement guidelines	18
6.2.5 Dashboard	19
7. Full settings	20
7.1. Internet	20
7.1.1 Internet connection	20
7.1.2 Pin management	20
7.1.3 Manual network	21
7.1.4 USSD	21
7.1.5 APN Settings	22
7.1.6 Band Selection	22
7.2. Home Network settings	23
7.2.1 DHCP settings	23
7.2.2 Connected devices	24
7.2.3 Network activity	24
7.2.4 Custom firewall rules	25

7.2.5 Port Filter	25
7.2.6 Port forwarding	25
7.3. SMS settings	26
7.3.1 Display the message received	26
7.3.2 Display the message sent	26
7.3.3 Create a new message	27
7.3.4 Display the draft message	27
7.3.5 Settings of the SMS	28
7.4. Wi-Fi settings	29
7.4.1 Wireless settings	29
7.4.2 Wireless security settings	30
7.4.3 Wireless MAC filter	30
7.5. Router management	32
7.5.1 User management	32
7.5.2 Configuration management	32
7.5.3 Software management	33
7.5.4 Reboot CL2000	33
7.5.5 Power off CL2000	33
7.5.6 Time setting	34
8. Troubleshooting	35
9. Guarantee	36
10. UKCA & CE declaration	36
11. WEEE declaration	37
12. Technical specifications	37

OVERVIEW

1. OVERVIEW

This 4G CPE (Customer Premises Equipment) router provides high-speed internet access via a 4G cellular network. It can be used in homes, offices and other locations where a reliable 4G network is available. It allows you to connect a phone to the RJ11 connector anywhere in an area covered by 4G.

Telephone adaptor Information:

- The telephone adaptor is equipped with a 4G ASR communications module and provides 2.4GHz Wi-Fi for voice and data transfer.

LTE-FDD: B1 / 3 / 5 / 7 / 8 / 20 / 28

LTE-TDD: B38

WCDMA: B1 / 5 / 8"

- The telephone adaptor provides a Wi-Fi access point (WAP function).

WAP is a hardware networking device that allows other Wi-Fi devices to connect to a wireless network.

The default Wi-Fi Service Set Identifier (SSID) name is **GEEMARC CL2000 XXXX** (xxxx is the last four digits of the Wi-Fi MAC address (media access control address)).

An SSID (service set identifier) is a sequence of characters that uniquely names a Wi-Fi network.

A MAC address (short for medium access control address or media access control address) is a unique identifier assigned to a network interface controller

The default Wi-Fi password is **GEEMARC**. It is important to change this password for a strong password of your own. Refer to the Web UI management system for details.

- The default IP address of the router is **192.168.1.1**.

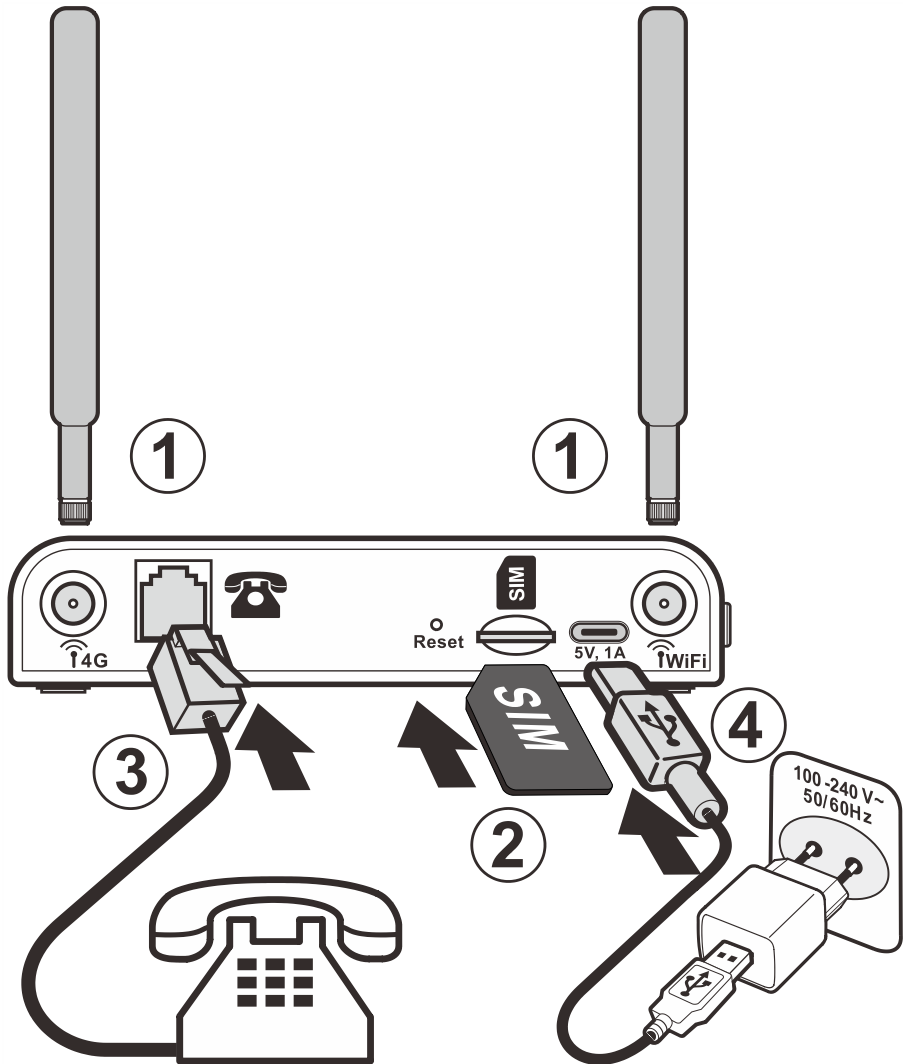
- You can log in to the WebUI at **http://192.168.1.1 WEB UI** to set up and change various parameters including the router Wi-Fi password and Network Name (SSID). The initial login password for the WebUI is **admin**.

Note:

1. The router is powered by a USB type C cable connected to a computer or by an external power adapter (5V/1A).
2. On / OFF button.
3. Use the pinhole reset button to restore the router to factory settings.
4. Clear your browser history before you use the Web UI management system.
5. The telephone adaptor is equipped with a RJ11 telephone/voice port.

Installation of your telephone adaptor

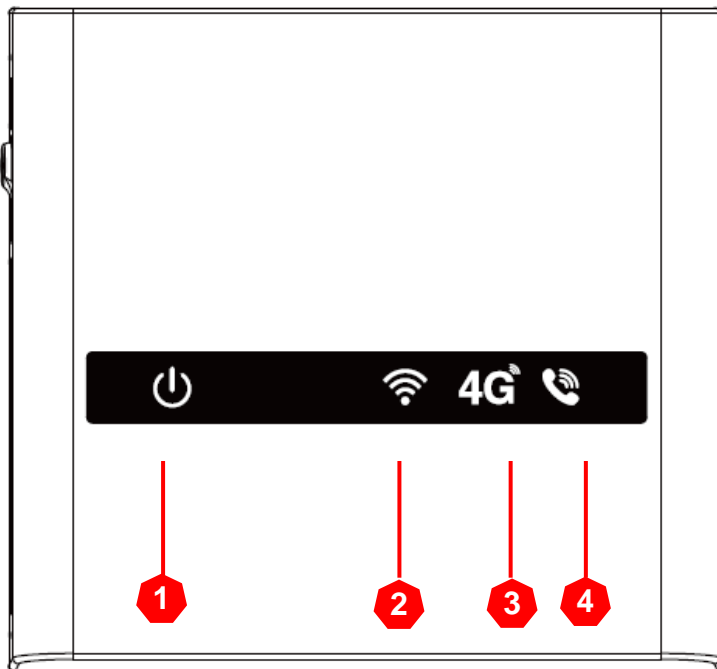
2. Installation of your telephone adaptor



- (1) Connect the 2 external 4G/Wi-Fi antennas.
- (2) Insert the Nano Sim card.
- (3) Connect your landline (PSTN) phone with RJ11/RJ11 cable.
- (4) Connect the USB cable with your power adaptor (not supplied).
The Adapter is powered by USB (5V /1A / 5W).
- (5) Press and hold the ON/OFF button (1) until the 4 LED's light on.

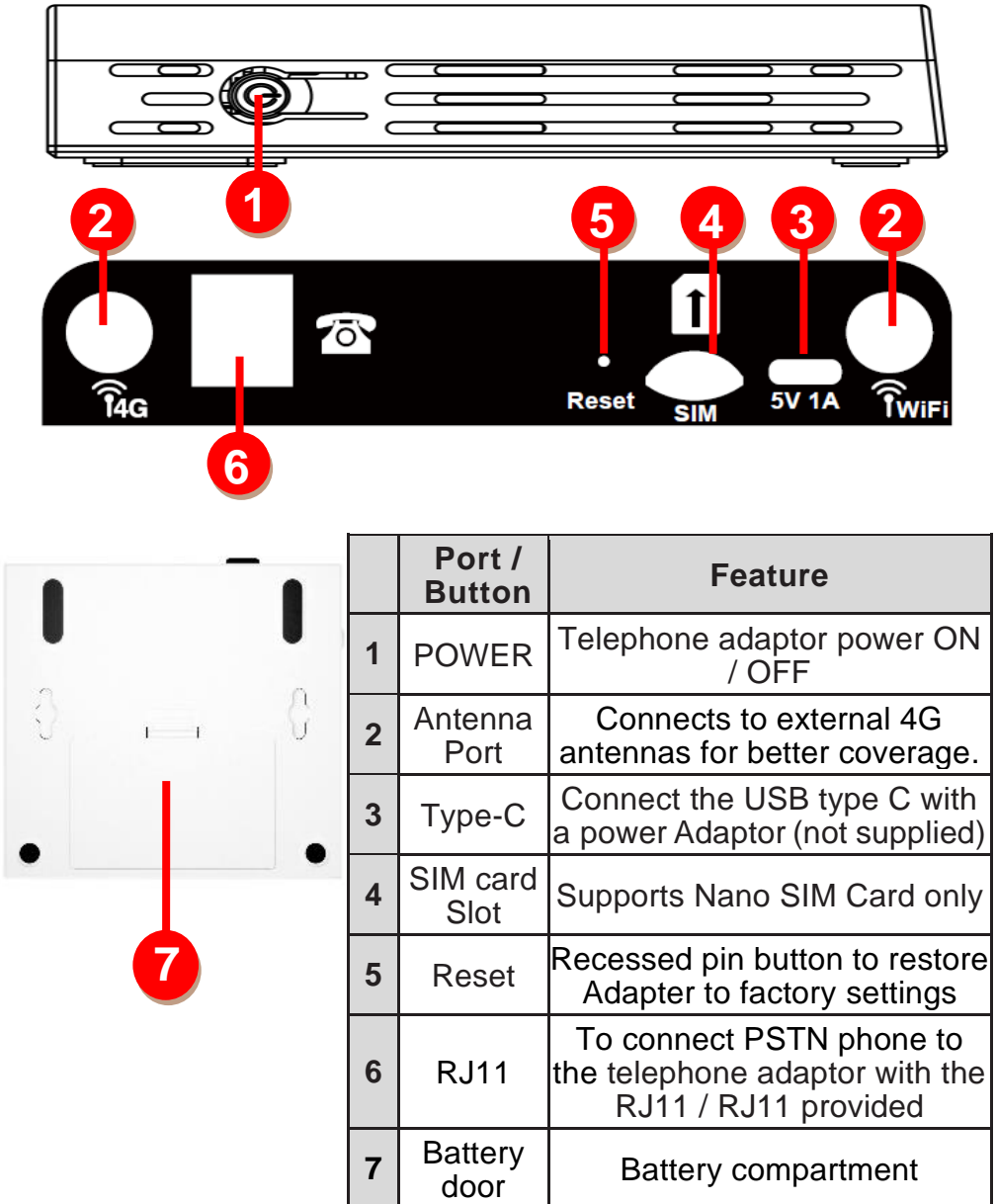
Telephone adaptor introduction

3.1 LED "ON" - Status Identification



	LED	Working Status	LED Status
1	Power	Adaptor is switched ON with battery charged.	ON
1	Power	Battery charging 1s ON / 1s OFF	Blinks
1	Power	Battery is low 0.5s ON / 0.5s OFF	Blinks
1	Power	Adaptor is switch OFF and battery full charged	OFF
2	Wi-Fi	Wi-Fi signal is ready.	ON
3	4G Signal	Adaptor is connected to a 4G mobile network (SIM inserted).	ON
4	Telephone	A voice call is in progress.	ON
	4 LED's	An update is being installed	Blink

3.2 Port & Button Identification



	Port / Button	Feature
1	POWER	Telephone adaptor power ON / OFF
2	Antenna Port	Connects to external 4G antennas for better coverage.
3	Type-C	Connect the USB type C with a power Adaptor (not supplied)
4	SIM card Slot	Supports Nano SIM Card only
5	Reset	Recessed pin button to restore Adaptor to factory settings
6	RJ11	To connect PSTN phone to the telephone adaptor with the RJ11 / RJ11 provided
7	Battery door	Battery compartment

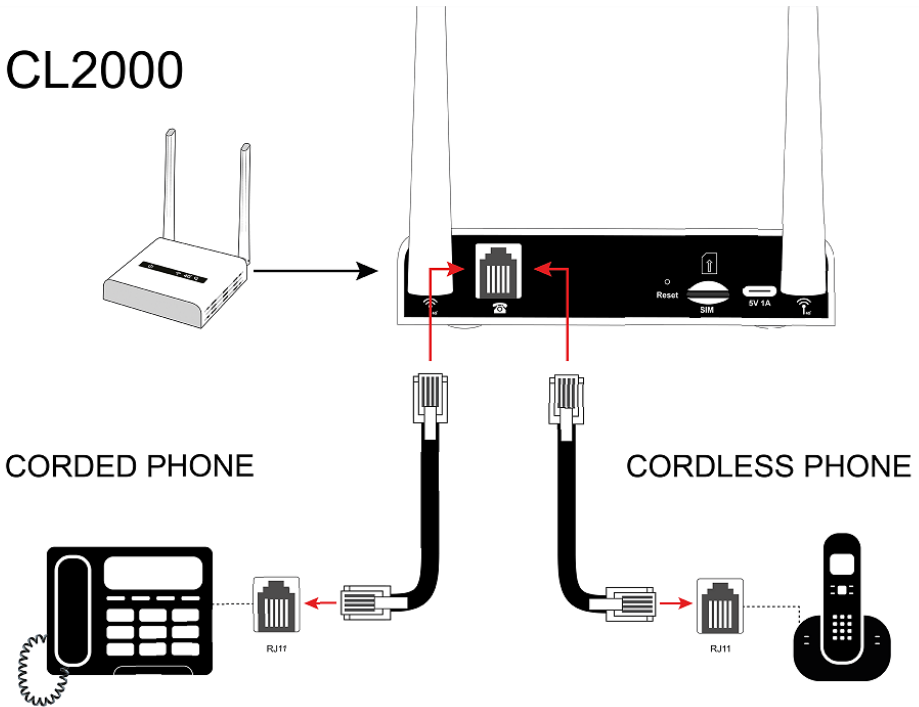
Using your phone with telephone adaptor

4.1 Locate your telephone adaptor

Insert a 4G Nano SIM card, with the PIN code deactivated (you will need to use a mobile phone to disabled the PIN code if this is not the case), with Mobile network provider enabled, into the SIM card slot (4). The CL2000 is compatible with all network operators.

Connect your landline phone to the CL2000 with the RJ11 telephone cable.

Use your phone to make and receive calls as normal. The Telephone LED is on when a call is in progress. When your phone rings, answer it as normal.



Pairing your device by Wi-Fi

5. Pairing your device by Wi-Fi

Your CL2000 allows you to access your network from any location covered by the Wi-Fi network.

However, the strength and range of the wireless signal will vary depending on the actual environment in which your adopter is located.

Many obstacles can limit the range of the wireless signal, such as concrete or metal structures.

For your safety and optimal Wi-Fi performance, please:

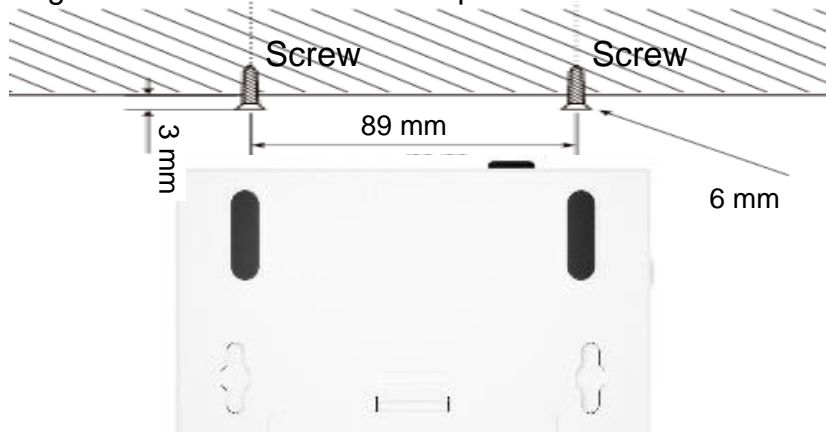
- Do not place the CL2000 where it will be exposed to moisture or excessive heat.
- Locate the adapter away from sources of strong electromagnetic radiation.
- Place the adapter in a location where it can be easily connected to your telephone and an electrical outlet.
- Place the adapter where there is a strong mobile Internet signal.
- Make sure that the cables and power cord are placed safely, out of the reach of children, to avoid tripping or other hazards.

Generally, the adapter is placed flat, such as on a shelf or desk and must be easily accessible.

It can also be mounted on the wall, as shown in the following illustration.

Drill 2 holes in the wall (89 mm apart).

Insert the wall plugs and the screws leaving about 2.5 mm of the screws projecting from the wall. Slide the telephone downwards to secure.



Your CL2000 allows you to connect a tablet, mobile phone, computer or other device to the internet with Wi-Fi.

- 1) On your device Wi-Fi settings, search, then select **GEEMARC-CL2000**.
- 2) Enter the Wi-Fi password, which is printed underneath the adapter.

Your device is now connected to the internet (via the Adapter's Wi-Fi).

IMPORTANT: We strongly recommend that you change the default password for added online security – see the main user guide for details.

WiFi Data rates maximum 286.8Mbps@TX and 229.4Mbps@RX.

Wi-Fi6 2.4GHz, 802.11b/g/n/ax

4G LTE Telephone Adaptor



Model : CL2000
IMEI: xxxxxxxxxxxxxxxx

S/N: CL2000_WH_I2501230001

MAC: xx.xx.xx.xx.xx

Made in China

Li-ion battery: 3.7V, 4000mAh
Wi-Fi SSID: GEEMARC-CL2000
Wi-Fi Password: *****
IP: 192.168.1.1
User/password: admin



Address : Parc de l'étoile , 2 rue Galilée, 59760 Grande-Synthe, France

Quick settings – Basic Functions

The Web User Interface (Web UI) management system allows you to view and configure the status of the router. The Web UI management web pages work with most mainstream browsers such as Internet Explorer 11 and later, Firefox, Chrome, and Safari.

6.1 Basic Functions

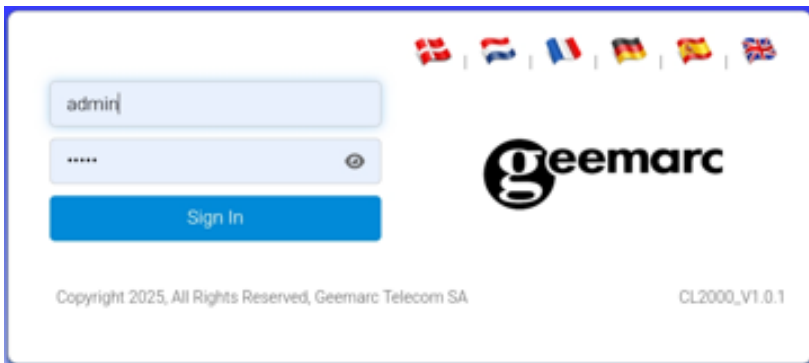
1. The computer, mobile phone or tablet is connected to the Wi-Fi hotspot of the CL2000 via Wi-Fi.



The login page is displayed after the user enters **192.168.1.1** in the browser. Write:

You can see this display below.

2. Select your language desired then enter the Username and password is **admin** by default, You will find this information on the bottom of your CL2000.



6.2 Settings

Welcome! Thanks for choosing CL2000

We recommend running Quick Setup in order to set up the router.

Please ensure that you have followed the steps in the Quick Setup Guide to make sure that all the cables are connected correctly. This configuration setup procedure will guide you using step-by-step instructions on how to get your Internet connection up and running.

Quick Setup

Do not show Quick Setup in future.

Skip

Note - You will still be able to access the Quick Setup link on your dashboard even if you skip it here.

If you wish to modify the settings, press on **Quick setup** else press on **Skip** to keep the setting by default.

The MIFI CL2000 **Quick Setup** tab is designed to assist you in connecting your new MIFI CL2000 to the Internet. This Quick Setup procedure guides you through step-by-step instructions on how to get an Internet connection up and running.

You can press on the square to remove the question at each connection.

6.2.1 User Settings

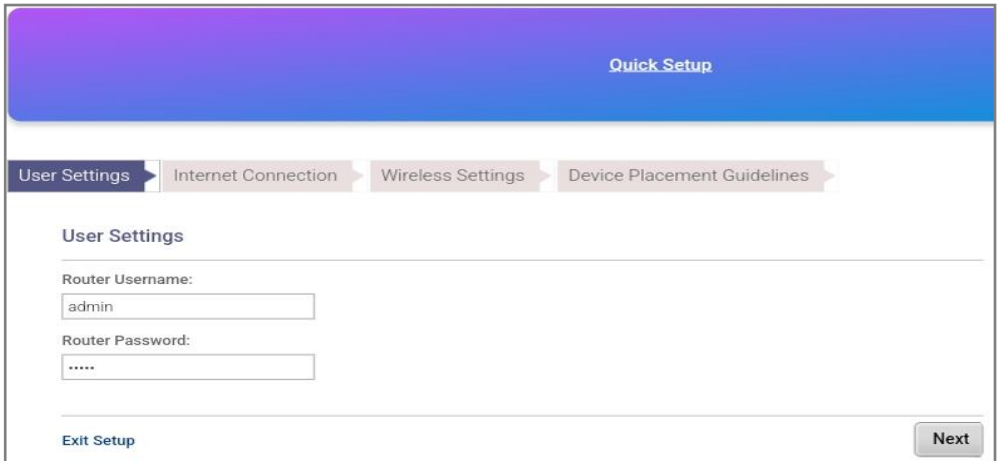
If you select Quick setup, you can see this first screen

This display, allow you to custom your CL2000 username and Password if you want, press **Next** to valid.

By default, the User name & Password are “**admin**”.

We invite you to change the Password for more security.

Quick settings – Settings



The screenshot shows the 'Quick Setup' interface. At the top, there is a blue header with the text 'Quick Setup'. Below the header, there is a navigation bar with four steps: 'User Settings' (highlighted in blue), 'Internet Connection', 'Wireless Settings', and 'Device Placement Guidelines'. The main content area is titled 'User Settings' and contains two input fields: 'Router Username:' with the value 'admin' and 'Router Password:' with the value '.....'. At the bottom left, there is a link 'Exit Setup', and at the bottom right, there is a 'Next' button.

6.2.2 Internet connection

This display, allow you to configure your internet connection type, if you want, press **Next** to valid or **Back** to modify a previous setting.

A) 2 types of connections are available:

Disable - No Internet connection. Only the wireless Home Network is active.

Cellular - This is the default mode of connectivity. You can insert your SIM into the router and the wireless clients associated can make use of it for internet connectivity! Also, note that in this mode, the Ethernet port can be used for connecting any LAN side clients. For 3G USB Modem, there is a bunch of ISP's that we support - you can select one of them from a dropdown list. In addition, you can update the CL2000's ISP database by uploading your local ISP settings file.

B) Network mode

You have the possibility to configure the type of network, different possibilities:

4G/3G/2G multimode - All the network mode is enabled.

4G only - Only 4G is enabled.

4G/3G only - Only 4G and 3G is enabled.

3G/2G only - Only 3G and 2G is enabled.

Disable NW settings - All the network is disabled.

C) Preferred Network Mode –

You allow to configure the type of network that we like to use.

D) Preferred LTE Type

2 possibilities:

TD LTE: TDD technique allows for higher throughput in the DL direction compared to the UL direction. This setting is preferable for making and receiving telephone calls.

LTE FDD: The FDD technique theoretically allows for lower latency.

E) Connection mode

2 possibilities to set the connection mode preferred (Auto or manual).

The screenshot shows the 'Quick Setup' screen in an Android settings application. At the top, there is a blue header with the text 'Quick Setup'. Below the header is a navigation bar with four items: 'User Settings', 'Internet Connection' (which is highlighted in dark blue), 'Wireless Settings', and 'Device Placement Guidelines'. The main content area is titled 'Choose the method to be used by the device to connect to the internet'. It contains several settings, each with a dropdown menu: 'My Internet Connection is' (set to 'Cellular'), 'Network Mode' (set to '4G/3G'), 'Preferred Network Mode' (set to '4G Preferred'), and 'Preferred LTE Type' (set to 'TD-LTE preferred'). Below these is the 'Connection Mode:' section, with a dropdown set to 'Auto' and an unchecked checkbox labeled 'prohibit automatic dial-up in the roaming status.'. At the bottom left, there is an 'Exit Setup' link, and at the bottom right, there are 'Back' and 'Next' buttons.

6.2.3 Wireless settings

This display, allow you to custom your Wifi connection, if you want, press **Next** to valid or **Back** to modify a previous setting.

A) Network name (SSID)

You allow to change the name of your CL2000 on the Wi-Fi network.

B) Network Visibility status

4 possibilities are available: Disabled, WPA2-PSK, WPA-WPA2 mixed and WAPI-PSK.

Disabled -- No wireless security. All traffic may be read by others.

WPA2-PSK -- The Highest Level of Security. Passwords should be at least 8 characters and contain characters besides letters and numbers such as, #, @, % & etc. Only devices that support WPA2-PSK may associate. WPA2 Cipher is AES.

WPA-WPA2 Mixed -- WPA2-PSK or WPA-PSK Security method depending on the device that needed to connect. Passwords should be at least 8 characters and contain characters besides letters and numbers such as, #, @, % & etc. WPA2 Cipher is AES. WPA Cipher is TKIP/ AES.

WEP -- The WEP Security is used if the devices that use the home router do not support WPA or WPA2. WEP security is based on a fixed size password. Older devices only support 5 characters (40bit) newer devices support 13 characters (104 bit). The 13 characters' security are better than 5 characters.

C) Password

The password by default is XXXXXXXX, you can find this password under the CL2000. We invite you to change the Password for more security.

4G LTE Telephone Adaptor



geemarc™
Hear the Difference

Model : CL2000

IMEI: xxxxxxxxxxxxxxxx



S/N: CL2000_WH_I2501230001



MAC: xx.xx.xx.xx.xx



Made in China

Li-ion battery: 3.7V, 4000mAh

Wi-Fi SSID: GEEMARC-CL2000

Wi-Fi Password: *****

IP: 192.168.1.1

User/password: admin








Address : Parc de l'étoile , 2 rue Gallée, 59760 Grande-Synthe, France

D) WPA Cipher

WPA Cipher -- An encryption algorithm used to secure the data communication. Temporal Key Integrity Protocol (TKIP) provides per-packet key generation and is based on WEP. The Advanced Encryption Standard (AES) is another very secure encryption option. With the "TKIP and AES" option, the telephone adaptor negotiates the cipher type with the client, and uses AES when available.

Quick Setup

User Settings
Internet Connection
Wireless Settings
Device Placement Guidelines

Wireless Network Settings

Network Name (SSID):

Network Visibility Status:
 Visible Invisible

Wireless Security:

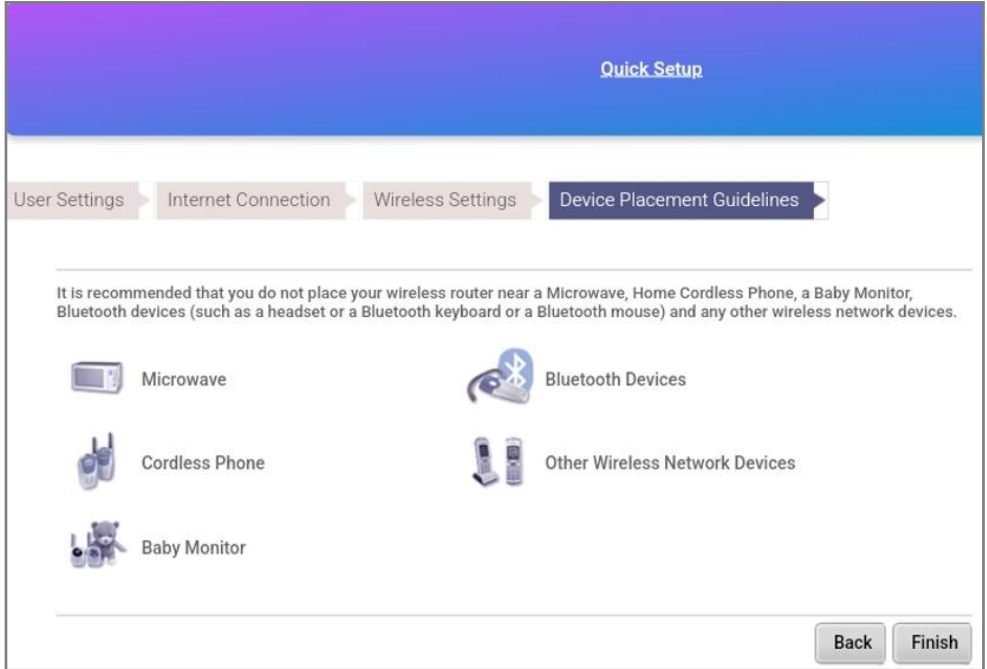
Password:

Unmask Password

WPA Cipher:

6.2.4 Device Placement Guidelines


This display, inform you on the position to place your CL2000 at your home, if you want, press **Next** to valid or **Back** to modify a previous setting.



6.2.5 Dashboard

The **Dashboard** page allows you to view basic information including status of the internet connection, router, home network and the number of Connect Devices.

Dashboard
Internet
Home Network
SMS
Wireless
Router




Connect Status

↑
2.23kb/s

↓
4.41kb/s

0
2
6
50


Day Hours Minutes Seconds



Network Settings

Network Settings
>

Wi-Fi Settings
>



Connect Devices

1

Status Information

SIM Card Number	89330172213198878540	Device Type	CPE-L805S
IMEI	864180070004317	IP Address	192.168.43.1
RSRQ	5	rsrp	27
SINR	-2	PCI	361
IMSI	208011803400815	MAC	b4:a8:28:fd:6e:d6
rssI	-117 dBm	Band	1
Signal Strength	24	Operator	Orange F
Network Name(SSID)	L805S-EU6-6ED6	Device Hardware Version	NZ_SSG_V20
Device Software Version	SDK072_L805S_SLIC_LAN_H70_02		

[Detail Information >](#)

Full settings - Internet

7.1 Internet

The **Internet** page allows you to set the internet connection, PIN management, manual network, USSD, APN Settings then Brand selection.

7.1.1 Internet connection

See chapter 6.2.2 for more information.

The screenshot shows the 'Internet' settings page. At the top, there is a navigation bar with tabs for 'Dashboard', 'Internet', 'Home Network', 'SMS', 'Wireless', and 'Router'. The 'Internet' tab is selected. Below the navigation bar, there is a sidebar menu with options: 'Internet Connection', 'PIN Management', 'Manual Network', 'USSD', 'APN Settings', and 'Band Selection'. The 'Internet Connection' option is selected. The main content area is titled 'Internet Connection' and contains the following settings:

- My Internet Connection is: Cellular
- Network Mode: 4G/3G
- Preferred Network Mode: 4G Preferred
- Preferred LTE Type: TD-LTE preferred
- Connection Mode: Auto
- prohibit automatic dial-up in the roaming status.

A 'Save' button is located at the bottom right of the settings area.

7.1.2 Pin management

This menu allow you to set the PIN/ PUK attempfs of your SIM card.

The screenshot shows the 'PIN Management' settings page. At the top, there is a navigation bar with tabs for 'Dashboard', 'Internet', 'Home Network', 'SMS', 'Wireless', and 'Router'. The 'Internet' tab is selected. Below the navigation bar, there is a sidebar menu with options: 'Internet Connection', 'PIN Management', 'Manual Network', 'USSD', 'APN Settings', and 'Band Selection'. The 'PIN Management' option is selected. The main content area is titled 'PIN/PUK Attempts' and contains the following settings:

- The number of PIN attempts left: 3
- The number of PUK attempts left: 10
- Enable PIN:

An 'Enable PIN' button is located at the bottom right of the settings area.

7.1.3. Manual Network

The screenshot shows the 'Manual Network' settings page. At the top, there is a navigation bar with tabs: Dashboard, Internet (selected), Home Network, SMS, Wireless, and Router. On the left, a sidebar menu lists: Internet Connection, PIN Management, Manual Network (selected), USSD, APN Settings, and Band Selection. The main content area is titled 'Manual Network' and includes a 'Manual Scan Network' button, a 'Selectable Network' dropdown menu set to 'Auto', a checkbox for 'Manually select network when system start' (unchecked), a checkbox for 'I want to manually select network when system start' (unchecked), an 'LTE background scan network time' dropdown menu set to '5 minutes', and a 'Current Select Network Mode' dropdown menu set to 'Automatic Mode'. A 'Save' button is located at the bottom right.

7.1.4 USSD

USSD (Unstructured Supplementary Service Data) is a Global System for Mobile Communications (GSM) protocol that is used to send text messages. USSD is similar to Short Message Service (SMS).

The screenshot shows the 'USSD Service' settings page. At the top, there is a navigation bar with tabs: Dashboard, Internet, Home Network, SMS, Wireless, and Router. On the left, a sidebar menu lists: Internet Connection, PIN Management, Manual Network, USSD (selected), APN Settings, and Band Selection. The main content area is titled 'USSD Service' and includes the text 'Please Input USSD Business Number to Dial-Up' above a text input field and a 'Dial' button.

7.1.5 APN Settings

This menu allow you to set the Access point Name information.

APN provides all the details that your device needs to connect to mobile data. If you are setting up a new device or putting your SIM card into a device for the first time, your network operator should send you their APN details in a configuration message.

The screenshot shows the 'Internet' settings page. At the top, there is a navigation bar with tabs for 'Dashboard', 'Internet', 'Home Network', 'SMS', 'Wireless', and 'Router'. Below this, a left sidebar contains a list of settings: 'Internet Connection', 'PIN Management', 'Manual Network', 'USSD', 'APN Settings' (which is highlighted in dark blue), and 'Band Selection'. The main content area is titled 'APN Settings' and contains a sub-section 'APN Manual Setting' with a dropdown menu currently set to 'Disabled'. A 'Save' button is located in the bottom right corner of the main content area.

7.1.6 Band Selection

This menu allow you to set the band selection.

The screenshot shows the 'Band Selection' settings page. It features the same navigation bar and sidebar as the previous screenshot. In the sidebar, 'Band Selection' is highlighted in dark blue. The main content area is titled 'Band Selection' and contains three sub-sections, each with a dropdown menu: 'Working network mode' set to '4G/3G multiple', 'Priority mode of work' set to '4G preferred', and 'Frequency band selection mode' set to 'auto'. A 'Save' button is located in the bottom right corner of the main content area.

7.2 Home Network settings

The **Home Network** page allows you to configure the gateway address and IP address of the router.

NOTE: The number of Wi-Fi devices connected to the CL2000 can limit the speed and capacity of the Wi-Fi connection.

7.2.1 DHCP Settings

The screenshot displays the DHCP Settings page within a router's web interface. The navigation bar at the top includes Dashboard, Internet, Home Network (selected), SMS, Wireless, and Router. On the left, a sidebar lists options: DHCP Settings (selected), Connected Devices, Network Activity, Custom Firewall Rules, Port Filter, and Port Forwarding. The main content area is titled 'DHCP Settings' and contains the following fields:

- DHCP Range:** 192.168 (dropdown) - 43 - 1
- Router LAN IP:** 192.168.43.1
- DHCP Server:** Enabled Disabled
- DHCP Start Address:** 192 - 168 - 43 - 100
- DHCP End Address:** 192 - 168 - 43 - 200
- DHCP Lease Time:** 86400 (In Seconds)
- DNS Configure Switch:** Disabled (dropdown)
- DNS1 IP Address:** (empty text box)
- DNS2 IP Address:** (empty text box)
- Redirection Function:** Enabled Disabled
- Add Static IP:** (button)
- Static IP Table:**

MAC Address	IP Address
No entries found.	
- DHCPV6 Settings:**
 - DHCPV6 Server:** Stateless Server Stateful Server
- Save:** (button)

Dynamic Host Configuration Protocol (DHCP) is used to dynamically assign Internet Protocol (IP) addresses to each host on your organization's network. In this DHCP meaning, a host can refer to any device that enables access to a network.

DHCP Range -- Selects the basic IP address range, in which the start and the end DHCP IP addresses range are assigned.

Start DHCP Address and End DHCP Address -- Defines a range of addresses that the DHCP Server uses when assigning addresses to computers and devices on your Local Area Network. Any addresses

Full settings – Home Network settings

that are outside this range are not managed by the DHCP Server; these could, therefore, be used for manually configured devices or devices that cannot use DHCP to obtain network address details automatically.

7.2.2 Connected devices

The Connected Devices screen displays a list of devices that are connected to the network. The Connected Devices screen also allows the user to block access to the Internet to a specific device.

The screenshot shows the 'Home Network' settings page. A navigation bar at the top includes 'Dashboard', 'Internet', 'Home Network' (selected), 'SMS', 'Wireless', and 'Router'. On the left, a sidebar lists 'DHCP Settings', 'Connected Devices' (selected), 'Network Activity', 'Custom Firewall Rules', 'Port Filter', and 'Port Forwarding'. The main content area is titled 'Connected Devices' and features a table with the following data:

Name	Status	IP Address	MAC Address	Connection	Connected time
Redmi-Note-12		192.168.1.200	ea:5f:1e:00:5e:b6	WLAN	0 Hour 14 Minutes 49 Seconds

7.2.3 Network activity

The Network Activity screen displays a list of dialer logs and WIFI client connect and disconnect log.

The screenshot shows the 'Network Activity' settings page. The navigation bar and sidebar are identical to the previous screenshot. The main content area is titled 'Network Activity' and displays the following information:

Last Login Time: 3/20/2025 14:20:53

Access Logs Delete

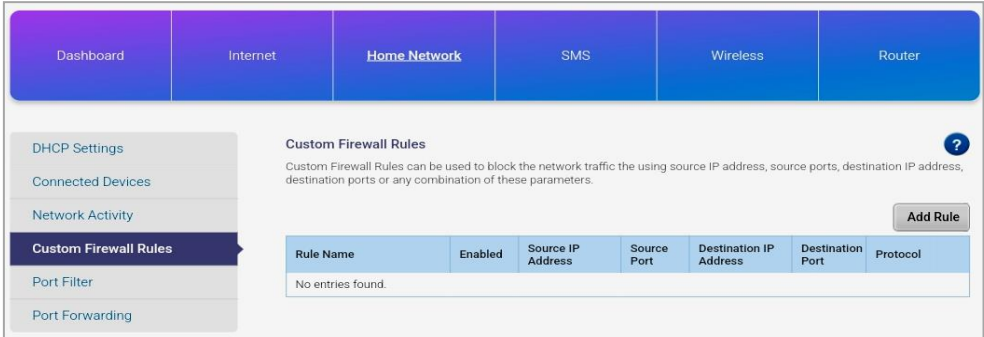
PDP Name	CID	Start Time	End Time	IP Type	IPv4 Addr	IPv6 Addr	<input type="checkbox"/>
PDN1	1	1/1/2014 0:0:16	3/19/2025 10:48:17	IPv4	10.137.3.249	N/A	<input type="checkbox"/>

WIFI Client Access Logs Delete

Client MAC Address	Connect Time	Disconnect Time	<input type="checkbox"/>
EA:5F:1E:00:5E:B6	3/19/2025 10:56:9	3/19/2025 11:3:12	<input type="checkbox"/>

7.2.4 Custom firewall Rules

Custom Firewall Rules can be used to block the network traffic the using source IP address, source ports, destination IP address, destination ports or any combination of these parameters.



Dashboard Internet **Home Network** SMS Wireless Router

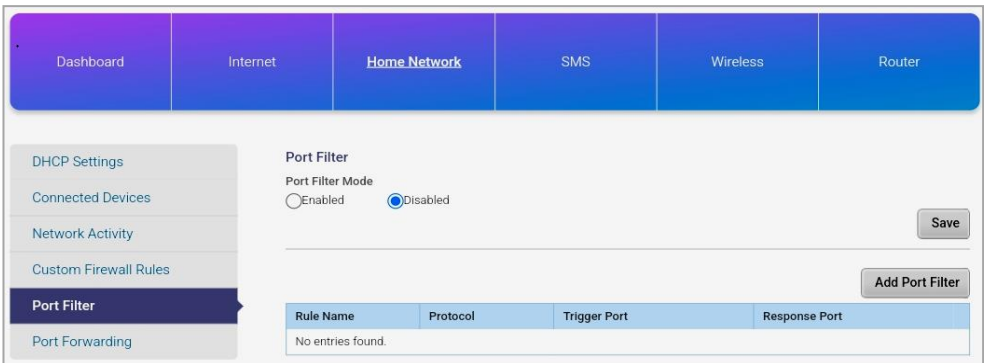
DHCP Settings
Connected Devices
Network Activity
Custom Firewall Rules
Port Filter
Port Forwarding

Custom Firewall Rules ?
Custom Firewall Rules can be used to block the network traffic the using source IP address, source ports, destination IP address, destination ports or any combination of these parameters.

Add Rule

Rule Name	Enabled	Source IP Address	Source Port	Destination IP Address	Destination Port	Protocol
No entries found.						

7.2.5 Port filter



Dashboard Internet **Home Network** SMS Wireless Router

DHCP Settings
Connected Devices
Network Activity
Custom Firewall Rules
Port Filter
Port Forwarding

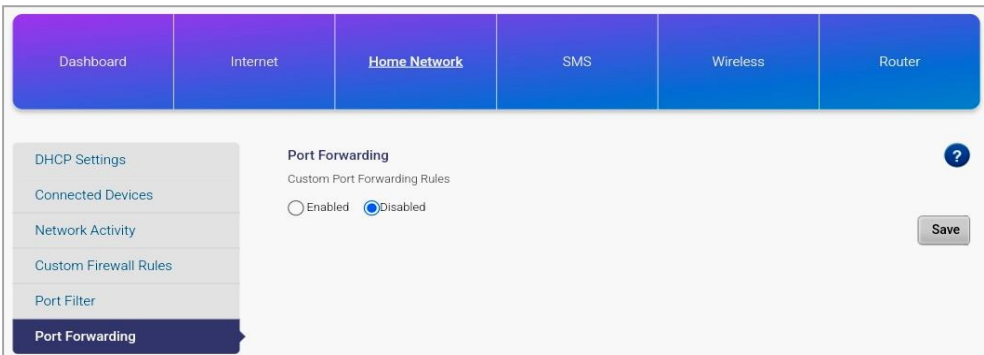
Port Filter
Port Filter Mode
 Enabled Disabled

Save

Add Port Filter

Rule Name	Protocol	Trigger Port	Response Port
No entries found.			

7.2.6 Port forwarding



Dashboard Internet **Home Network** SMS Wireless Router

DHCP Settings
Connected Devices
Network Activity
Custom Firewall Rules
Port Filter
Port Forwarding

Port Forwarding ?
Custom Port Forwarding Rules

Enabled Disabled

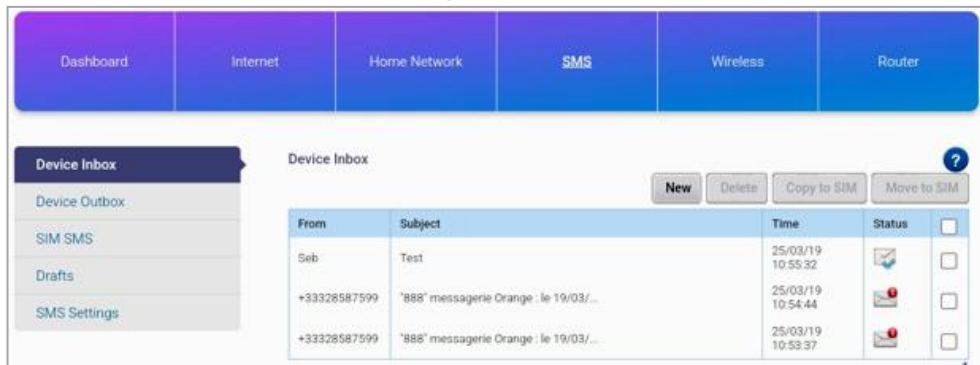
Save

Add Port Forwarding Rule

Rule Name	Protocol	Trigger Port	Response Port
-----------	----------	--------------	---------------

7.3 SMS settings

7.3.1 Display the message received



In Device Inbox, you will find all the messages that you have received.

This icon means that the message has not been read.

This icon means that the message has not been read.

Tap on status of your mail to view the message, you have the possibility to reply to your message then select **Send** to send your message.

Select **Save** to save your message in Drafts.

Select **Cancel** to delete the message.

7.3.2 Display the message sent



In Device Outbox, you will find all the messages that you have sent.

This icon means that the message has been sent.

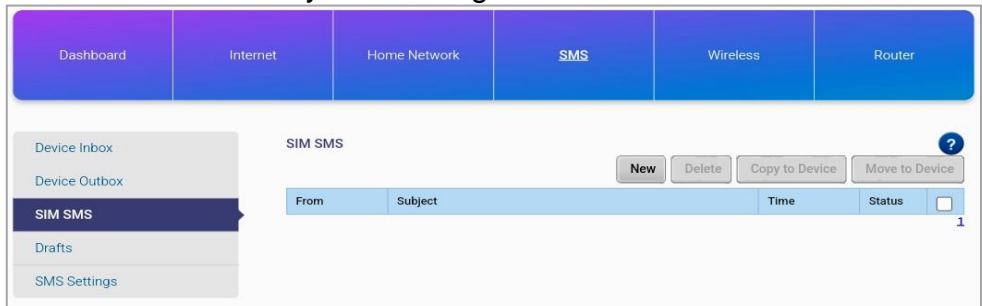
Tap on status of your mail to view the message, you have the possibility

to reply to your message then select **Send** to send your message.
Select **Save** to save your message in Drafts.
Select **Cancel** to delete the message.

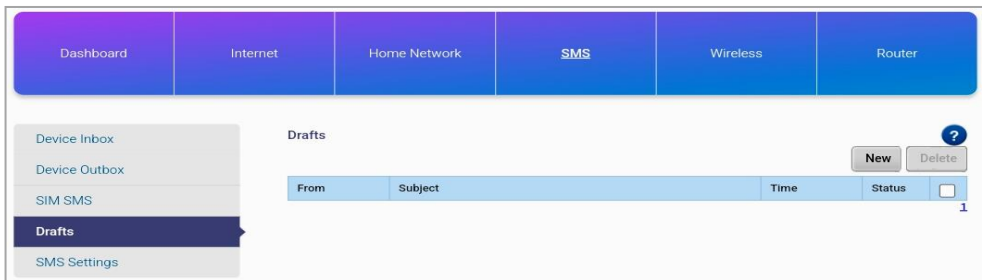
7.3.3 Create a new message

Press **New** then enter your contact phone number of your contact then write your message.

Select **Send** to send your message.



7.3.4 Display the Draft message



Under Drafts, you will find all the messages that you have in Draft status.

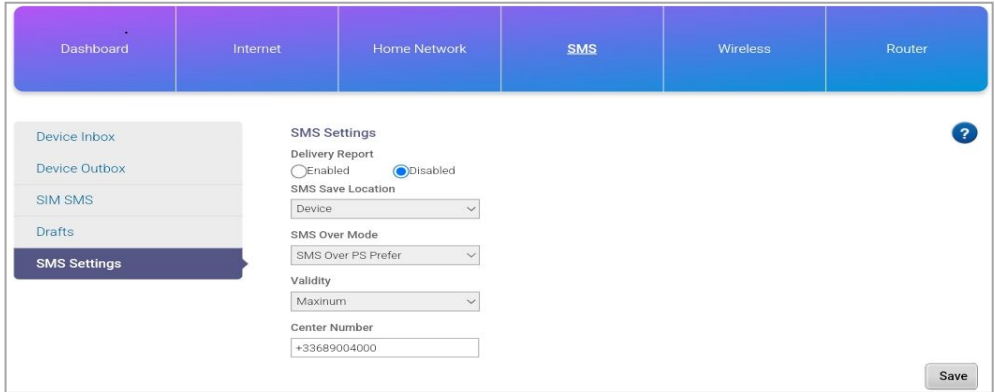
This icon  means that the message has not yet been sent.

Tap on status of your message to view the message, you have the possibility to reply or continue your message then select **send** to send your message.

Select **Save** to save your message in Drafts.

Select **Cancel** to delete the message.

7.3.5 Settings of the SMS



The screenshot shows a web interface with a top navigation bar containing tabs for Dashboard, Internet, Home Network, SMS, Wireless, and Router. The SMS tab is selected. On the left, a sidebar menu lists Device Inbox, Device Outbox, SIM SMS, Drafts, and SMS Settings (which is highlighted). The main content area is titled 'SMS Settings' and includes a help icon. The settings are as follows:

- Delivery Report:** Radio buttons for Enabled and Disabled. The Disabled option is selected.
- SMS Save Location:** A dropdown menu currently showing 'Device'.
- SMS Over Mode:** A dropdown menu currently showing 'SMS Over PS Prefer'.
- Validity:** A dropdown menu currently showing 'Maximum'.
- Center Number:** A text input field containing '+33689004000'.

A 'Save' button is located in the bottom right corner of the settings area.

The SMS settings allow you to configure the message center. When the message center is activated, you can change the number of the message center via which messages will be sent. It is not recommended that you change this, as the wrong message center number will affect the CL2000's SMS function.

7.4 Wi-Fi settings

The **Wireless** page allows you to set the Wi-Fi name and password, hidden Wi-Fi, encryption type, MAC filter modes and firewall.

7.4.1 Wireless setting

The wireless setting section allows user to define the status of the Wi-Fi, to select the 802.11 mode (type de Wi-Fi to use follow the places).

Primary channel allows you to set the channel of your Wi-Fi.

Primary channels are the main 20 MHz frequency bands used for wireless communication, while secondary channels are additional 20 MHz bands paired with primary channels to expand bandwidth to 40 MHz. This expansion increases data throughput and network efficiency.

Band 40 is an LTE operating frequency Band. LTE is designed to work across a number of frequency bands – E-UTRA operating bands- currently ranging from 450 MHz up to 3.8GHz. The available bandwidths are also flexible starting with 1.4 MHz up to 20 MHz with Carrier Aggregation allowing use of wider multiples.

Note: Does not forget to press on save to validate your modification.

Dashboard Internet Home Network SMS **Wireless** Router

Wireless Settings ?

Wireless Settings

Status: Enabled Disabled

802.11 Mode: 802.11 ax

Primary Channel: Automatic

Secondary Channel: Above

Band40 ACS Switch: Enabled Disabled

Save

7.4.2 Wireless Security Settings

The Wireless Security section allows users to define the network as well as the security parameters for the wireless home network as required. The factory default setting for security is WPA-WPA2 Mixed mode that allows only the WPA/WPA2 devices to associate with the home router.

You can choose whether or not to make the WiFi visible.

Note: Does not forget to press on save to validate your modification.

The screenshot shows the 'Wireless Security Settings' page. At the top, there is a navigation bar with tabs for Dashboard, Internet, Home Network, SMS, **Wireless**, and Router. On the left, a sidebar contains 'Wireless Settings', 'Wireless Security Settings' (highlighted), and 'Wireless MAC Filters'. The main content area is titled 'Wireless Security Settings' and includes a help icon (?). The settings are as follows:

- Network Name (SSID): L805S-EU6-6ED6
- Network Visibility Status: Visible Invisible
- Wireless Security: WPA2-PSK (dropdown menu)
- Add WPS Client (button)
- Password: (text field)
- Unmask Password
- WPA Cipher: AES (Stronger) (dropdown menu)
- Save (button)

7.4.3 Wireless MAC Filter

The screenshot shows the 'Wireless MAC Filters' page. At the top, there is a navigation bar with tabs for Dashboard, Internet, Home Network, SMS, **Wireless**, and Router. On the left, a sidebar contains 'Wireless Settings', 'Wireless Security Settings', and 'Wireless MAC Filters' (highlighted). The main content area is titled 'Wireless MAC Filters' and includes a help icon (?). The settings are as follows:

- MAC Filters: Enabled Disabled
- Save (button)

The MAC address (located under the CL2000) is used to uniquely identify a network device. MAC addresses are used in most network systems, whether wireless (Bluetooth, Wi-Fi, etc.) or wired (Ethernet, ATM, etc.).

The wireless MAC filters screen allows you to enable / disable MAC filters.

Also you can delete multiple MAC filters selectively from 'Allow' or from 'Deny' list.

Note: *doesn't forget to press on save to validate your modification.*

4G LTE Telephone Adaptor



Model : CL2000
IMEI: xxxxxxxxxxxxxxxx

S/N: CL2000_WH_I2501230001

MAC: xx.xx.xx.xx.xx

Made in China

Li-ion battery: 3.7V, 4000mAh
Wi-Fi SSID: GEEMARC-CL2000
Wi-Fi Password: *****
IP: 192.168.1.1
User/password: admin



Address : Parc de l'étoile , 2 rue Galilée, 59760 Grande-Synthe, France

7.5 Router Management

The **Router** page allows you to view account information, restore factory settings, and restart the device.

7.5.1 User Management

The screenshot shows the Router Management interface. At the top, there is a navigation bar with tabs for Dashboard, Internet, Home Network, SMS, Wireless, and Router. Below this, a sidebar on the left contains a menu with options: User Management (highlighted), Configuration Management, Software Upgrade, Reboot Router, Power Off Router, and Time Setting. The main content area is titled 'User Management' and includes a blue question mark icon and an 'Add New Account' button. Below this is a section for 'User Accounts' containing a table with the following data:

User Name	Access Level	Action
admin	Standard	Delete

7.5.2 Configuration Management

In pressing **Restore factory settings**, you come back with the factory settings.

The screenshot shows the Router Management interface with the 'Configuration Management' section selected in the sidebar. The main content area is titled 'Configuration Management' and includes a blue question mark icon. Below this is a section for 'Restore Factory Settings' with a warning message: 'This option resets the router to the factory defaults. The existing settings will be lost.' and a 'Restore Factory Settings' button.

7.5.3 Software Mangement

In pressing **Update**, you can uploaded your CL2000 at the last

The screenshot shows the Router Management interface with the 'Router' tab selected. The left sidebar contains a menu with 'Software Upgrade' highlighted. The main content area is titled 'Software Upgrade' and includes a 'Software Information' section. It displays the 'Current Software Version' as 'SDK072_L805S_SLIC_LAN_H70_D2' and the 'Current Software Date' as 'Dec 11 2024'. Below this, there is a text instruction: 'If you have a software upgrade file on your machine, you can use this option to manually upgrade the router.' This is followed by a text input field and a 'Browse' button. At the bottom right of the main content area, there is an 'Upgrade' button.

7.5.4 Reboot Router

In pressing the function **Reboot Router**, your CL2000 will restart.

The screenshot shows the Router Management interface with the 'Router' tab selected. The left sidebar contains a menu with 'Reboot Router' highlighted. The main content area is titled 'Reboot Router' and includes the instruction: 'Please press the button shown below to Reboot the Router'. Below this instruction, there is a single 'Reboot Router' button.

7.5.5 Power off Router

In pressing **Power off Router**, you can turns off your CL2000.

The screenshot shows the Router Management interface with the 'Router' tab selected. The left sidebar contains a menu with 'Power Off Router' highlighted. The main content area is titled 'Power Off Router' and includes the instruction: 'Please press the below button to Power-off the router.' Below this instruction, there is a single 'Power Off Router' button.

7.5.6 Time Setting

Allows you to set the date & hour of your CL2000.

The screenshot shows the 'Time Setting' page in the Router Management interface. At the top, there is a navigation bar with tabs for 'Dashboard', 'Internet', 'Home Network', 'SMS', 'Wireless', and 'Router'. Below this, a left sidebar contains a list of menu items: 'User Management', 'Configuration Management', 'Software Upgrade', 'Reboot Router', 'Power Off Router', and 'Time Setting' (which is highlighted). The main content area is titled 'Time Setting' and includes a help icon (a question mark in a blue circle). The settings are organized as follows:

- Year\Month\Day:** Three input fields containing '2025', '1', and '10' respectively, separated by slashes.
- Hour:Minute:Second(24H):** Three input fields containing '10', '10', and '54' respectively, separated by colons.
- NTP Status:** Two radio buttons, 'Enabled' (which is selected) and 'Disabled'.

At the bottom right of the main content area, there is a 'Save Current Time' button.

8. Troubleshooting

Problem	
POWER light is OFF (Adapter not working).	<ul style="list-style-type: none"> • Adapter is not connected to a USB power supply. USB power supply switched off / not working.
Doesn't arrive to make or receive an call	<ul style="list-style-type: none"> • Double check the SIM card and the quality of the network.
Device (laptop, smartphone etc.) cannot connect to the Adapter via Wi-Fi.	<ul style="list-style-type: none"> • Verify that your SIM card is properly inserted. • Verify that your SIM card has sufficient credit. • Verify that you have selected the Adapter and that Wi-Fi is enabled on your device. • Check the mains power adapter and cable are properly connected to the USB Type C port. • Verify that the Wi-Fi password is correct (underneath the Adapter).
How do I restore the Adapter to factory setting?	<ul style="list-style-type: none"> • Push the button in the reset hole with a pin and hold for 3 seconds to restore to factory setting.
What do you do if you forget your Wi-Fi password?	<ul style="list-style-type: none"> • Use the default password underneath the Adapter (if you have not changed the password). If you have changed the password refer to the main user guide.
If the problem persists	<ul style="list-style-type: none"> • Download the full user guide from the Geemarc website, or contact your retailer after sales service.
Nothing works	<ul style="list-style-type: none"> • Double check that you have deactivated the PIN code
4 LED's blink	An update is being installed

NOTE: For the best use of this product, we strongly recommend you download the full user guide from our website at: <https://geemarc.com/uk/user-guides> , then search CL2000.

Guarantee . Declaration

9. Guarantee

From the moment your Geemarc CL2000 product is purchased, Geemarc guarantee it for the period of two years. During this time, all repairs or replacements (at our discretion) are free of charge. Should you experience a problem then contact our Helpline or visit our website at **www.geemarc.com**. The guarantee does not cover accidents, negligence or breakage to any parts. The product must not be tampered with or taken apart by anyone who is not an authorised Geemarc representative.

The Geemarc guarantee in no way limits your legal rights.

Important: YOUR RECEIPT IS PART OF YOUR GUARANTEE AND MUST BE RETAINED AND PRODUCED IN THE EVENT OF A WARRANTY CLAIM.

10. UKCA & CE DECLARATION

Geemarc Telecom SA hereby declares that this CL2000 is in compliance with the essential requirements and other relevant provisions of the Radio Equipment Directive 2014 / 53 / UE.

The CE and UKCA declarations of conformity may be consulted at www.geemarc.com

SAR Test: Head : 0.01 W/kg Body : 1.647 W/kg LIMBS : 2.977 W/kg
--



BATTERY WARNINGS

- **DO NOT** attempt to dismantle.
- **DO NOT** dispose of in fire.
- **DO NOT** swallow.
- Keep away from children.
- **DO NOT** short-circuit the Battery Contact terminals.
- **Caution:** Risk of explosion if battery is replaced incorrectly or if the wrong type of battery is used. Dispose of used batteries according to the instructions.



11. WEEE declaration

(Waste Electrical and Electronic Equipment) directive ensures that electrical products at the end of their useful life are disposed and recycled in an appropriate way that protects the environment.

When this product is finished with, please do not put it in your domestic waste bin.

Please use one of the following disposal options:

- Deposit the product in an appropriate WEEE skip (contact your local authority to find out where these are).
- Or, hand the old product to the retailer. If you purchase a new one, they should accept it.

If you respect these instructions, you ensure human health and environmental protection.

12. Technical specifications

Operating voltage	: 5V / 1A / 5W
Battery capacity	: 3.7V, 4000mAh Lithium Polymer Battery
Battery operating time	: Up to 10 hours or 40 hours in Stand by



For product support and help visit our website at
www.geemarc.com

Parc de l'étoile, 2 rue Galilée, 59760 Grande-Synthe,
France

E-mail : **help@geemarc.com**

Telephone : **01707 387602**

lines are open from **10:00-12:00** then **13:00-14:30**
Mon. to Fri.

Made for Geemarc Telecom S.A. in China

